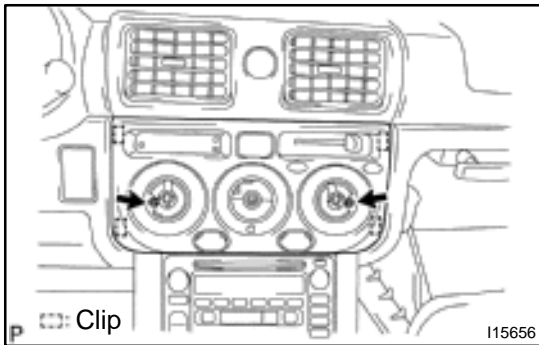
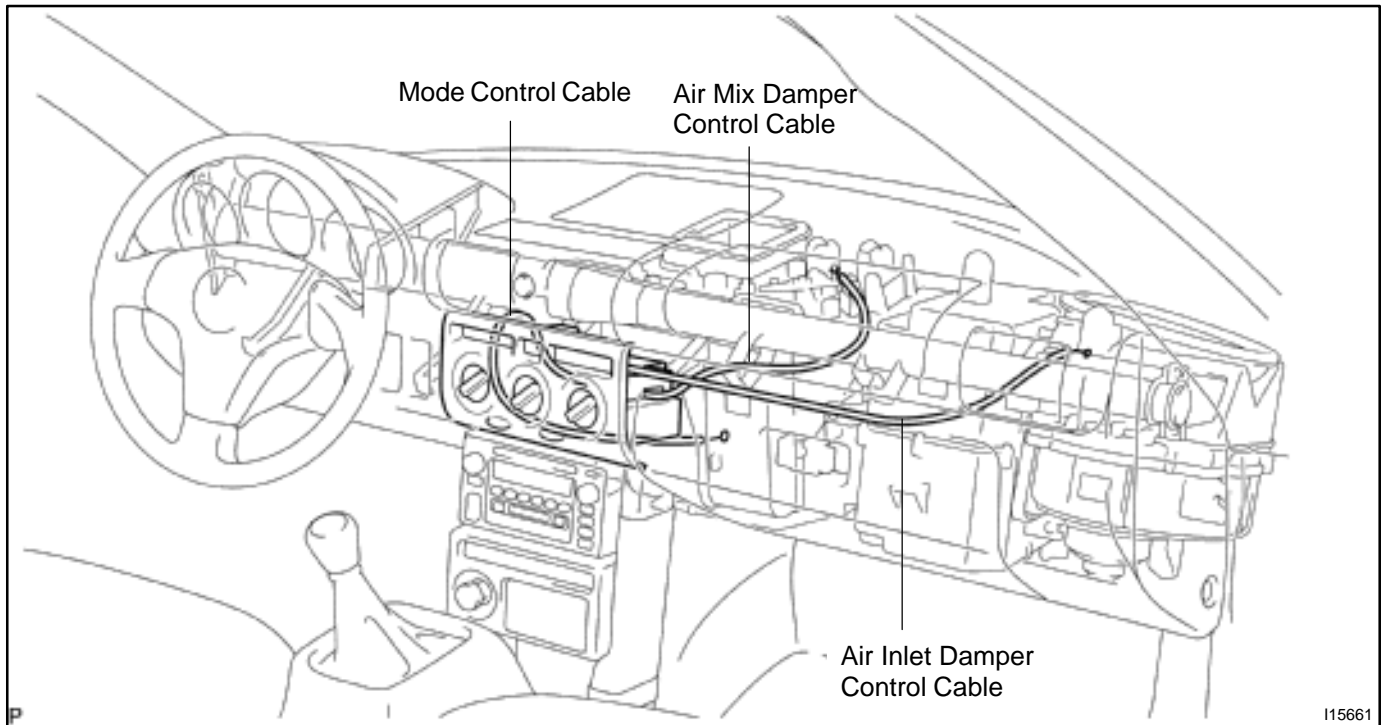


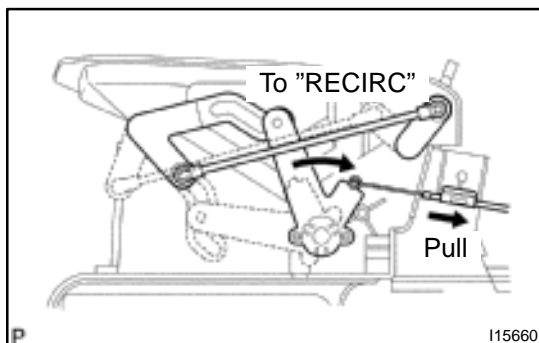
## INSTALLATION

### 1. INSTALL HEATER CONTROL ASSEMBLY

- Connect the 2 connectors to the heater control assembly.
- Pass through the A/C control cables as shown in the illustration.



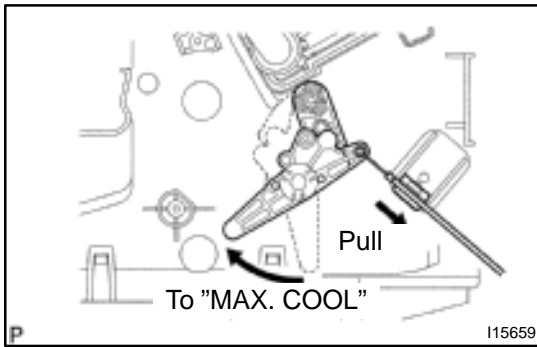
- Install the heater control assembly with the 4 screws.
- ### 2. INSTALL CENTER CLUSTER FINISH PANEL
- Connect the clock connector to the clock.
  - Install the center cluster finish panel with the 2 screws.
  - Install the 4 knobs.
- ### 3. CONNECT HEATER CONTROL CABLES
- Set the air inlet control lever to "RECIRC" position.
  - Set the temperature control dial to "MAX. COOL" position.
  - Set the mode control dial to "FACE" position.



- Adjust the air inlet damper control cable. Set the air inlet damper control lever to "RECIRC" position and connect the inner cable to lever pin and clamp the outer cable.

#### HINT:

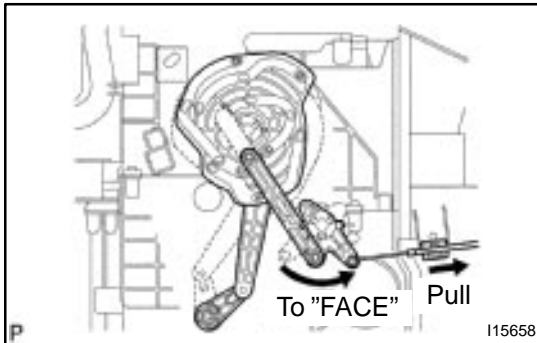
Lock the clamp while lightly pulling the outer cable to the direction shown by arrow in the illustration.



- (e) Adjust air mix damper control cable.  
Set the air mix damper control lever to "MAX. COOL" position and connect the inner cable to lever pin and clamp the outer cable.

**HINT:**

Lock the clamp while lightly pulling the outer cable to the direction shown by arrow in the illustration.



- (f) Adjust the mode control cable.  
Pull the air outlet damper control link to "FACE" position, connect the control cable and lock the clamp.

**HINT:**

Lock the clamp while lightly pulling the outer cable to the direction shown by arrow in the illustration.

**4. INSTALL GLOVE COMPARTMENT DOOR**